



BE201/201F/301

- Alternative Freon is used for Coolant
- Quick Cool Down by just Dipping Cooling Coil into Fluid.
- Light and Compact with Great Cooling Performance.
- SUS Flexible Cooling Coil is High Corrosion-resistant and Easy Bending to fit to various Bath Capacity (BE201F/301 only).

Model		
BE201	BE201F	BE301
Operating Temperature Range		
-20deg.C to +35deg.C		

■ Specifications

Model	BE201	BE201F	BE301
Performance			
Operating Temp. Range	-20 to +35deg.C		
Cooling Capacity (50/60Hz)	190W (at Room Temp. 20deg.C, Ethanol 0deg.C)		350W (at Room Temp. 20deg.C, Ethanol 0deg.C)
Components / Standard			
Refrigerator	Reciprocating Refrigerator 160W		Reciprocating Refrigerator 400W
Refrigerator Coolant	R134a, 110g	R134a, 160g	R404a, 170g
Cooling Coil	Copper(Chrome Plated)	Stainless Steel	
	Spiral Tube	Flexible Tube	
Cooling Coil Size	φ35 x 170mm	φ15 x 500mm	φ15 x 1,000mm
Power Source	AC100V 50/60Hz 3A/2.3A		AC100V 50/60Hz 5.5A/4.9A
External Dimension	W410 x D320 x H303 mm		
Weight	Approx. 24kg		Approx. 25kg

■ Cooling Coil



BE201



BE201F



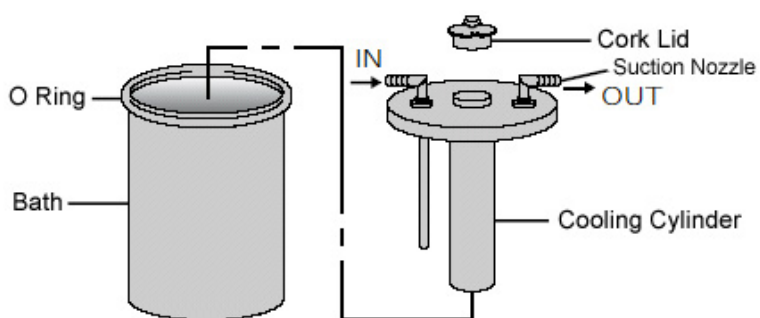
BE301

■ Cooling Trap

Features

- Useful Cooling Trap made of Aluminium.
- Easy Cooling by Neocool Dip.

Structure Drawing



Operation Sample Picture



Trap for Vacuum Pump

Specifications

External Dimension	φ210 x 290mm
Bath Dimension	φ180 x 245mm
Cooling Cylinder Dimension	φ45 x 220mm
Suction Nozzle Size	φ18 (O.D.)
Bath Material	Aluminium (Almite Finish)