

Forced Convection Ovens with Air Curtain

OTC-213A/2D

Model	
213A	2D
Operating Temperature Range	
-15 to +60 deg.C	-30 to +80 deg.C
Air Curtain	
2 layers	3 layers
Internal Capacity	
134 L	300 L

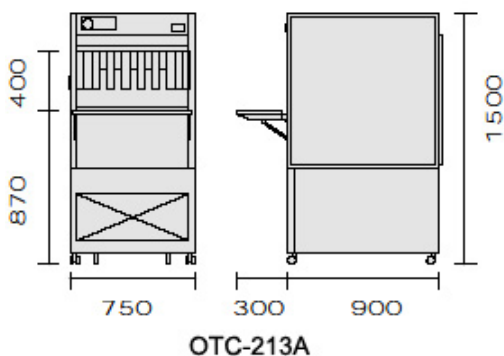
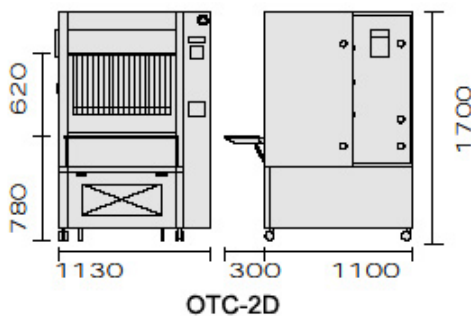
Features

- Directly put hands into the chamber to work
- Wide Opening
- With RS232C I/F. Remote Controllable by Personal Computer
- It's loaded with Econo-Cover which can improve Temp. Distribution Accuracy and Temp. Rising Time



OTC-213A/OTC-2D

Dimension (mm)



Specifications

Model	OTC-213A	OTC-2D
□ Performance		
Type	Air Curtain Type (2 layers) (Double Stream)	Air Curtain Type (3 layers) (Triple Stream)
Setting Temp. Range	-15 to +60deg.C (without Econo-cover)	-30 to +80deg.C (with Econo-cover)
Time to Reach	Approx. within 30min. from +25 to -15deg.C Approx. within 20min. from +25 to +60deg.C	Approx. within 60min. from +25 to -25deg.C Approx. within 30min. from +25 to +80deg.C
Temp. Control Type	3-step changeable of cooling capability	5-step changeable of cooling capability by 2 freezers
	Below +10deg.C: Strong Freezing and Heater	Below +10deg.C: 2 Freezers and Heater
	+10 to 40deg.C: Soft Freezing and Heater	+10 to 40deg.C: 1 Freezer and Heater
	+41 to 60deg.C: Heater	+41 to 80deg.C: Heater
□ Components		
Temp. Control	PID Control by Microcomputer	
Temp. Sensor	Pt Resistance Thermometer	
Temp. Setting Type	Digital Setting	Touch Panel Input on LCD Display
Temp. Display Type	Digital Display	7 segments Display on LCD Display
Operating Function	Fixed Setting Operation, Automatic defrost mode	Fixed Operation, Automatic or Manual defrost mode, Repeat Function, 16 steps setting for Temp. and Time (1 to 990min.)
Additional Function	N/A	Total Operation Hours Timer (to99,999.9hrs.)
External Interface	RS232C (Communication Function such as Temp. Setting, RUN/STOP, Temp. Monitor)	
Refrigerator/Coolant	Scroll Compressor/R404A, 750kW	Rotary Type/R404A, 1.1kW x 2
Heater Capacity	1.4kW	3.0kW
Chamber Lightning	15W (Incandescent Light)	
Cable Hole	I.D. 60mm	
□ Safety Device		
Safety Countermeasures	Abnormal Overheat Preventor, Abnormal High Pressure Preventor for Compressor, Short-circuit Breaker, Motor Breaker, Emergency Stop Switch	
□ Standard		
Internal Dimensions	W670 x D500 x H400mm	W810 x D600 x H600mm
External Dimensions	W750 x D880 x H1,500mm	W1,130 x D1,100 x H1,700mm
Internal Capacity	134L	300L
Power (50/60Hz)	3-phase, AC200V, 20A	3-phase, AC200V, 20A
Weight	Approx. 180kg	Approx. 470kg
Accessory	N/A	Econo-cover

■ Optional items

Description	Model No.	Product Code
Dot type recorder for 2D)	OTC Series	200000
Shelf with support 1pc (for 213A)	OTC Series	200000
Shelf with support 1pc (for 2D)	OTC Series	200000
Econo cover (for 213A)	OTC Series	200000
Working counter (for 213A)	OTC Series	200000
Working counter (for 2D)	OTC Series	200000
Operation display light pole (for 2D)	OTC Series	200000
Extension drain hose 2m (for both models)	OTC Series	200000
Exhaust duct fan (for 2D)	OTC Series	200000