

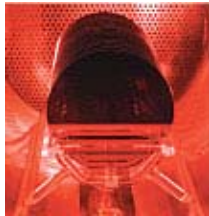
Low Temperature Asher

PR300/301

Model	
300	301
Method	
Barrel type of DP DP : direct plasma	
High-frequency Output	
Max.300W	
Oscillating Frequency	
13.56MHz	
Reaction Chamber	
ø64×160mm 3 chambers	ø118×160mm 1 chamber

The PR 300 is a gas plasma device that is used widely for such applications as production of semiconductors and analysis work. It boasts outstanding operability and safety, with an automatic tuning system as a standard component and other features. It has a compact design, with a small-size HF generator and an oscillation section integrated with a portion of the chamber, allowing it to be installed into a 19-inch rack.

- Three 64mm diameter chambers are included. (PR300)
- The unit can be set for a wide range of output conditions to handle a variety of testing samples.
- One 118mm diameter large chamber is accommodated.



■ The gas plasma equipment has a wide range of applications from ashing, etching, dry cleaning, etc.



PR301

Reaction Chamber



PR300
3 Chamber (φ 64 × 160mm)

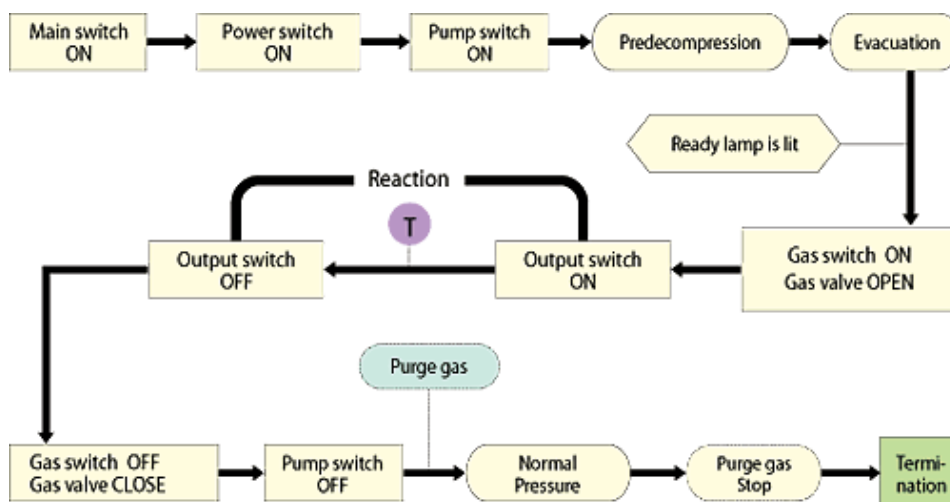


PR301
1 Chamber (φ 118 × 160mm)

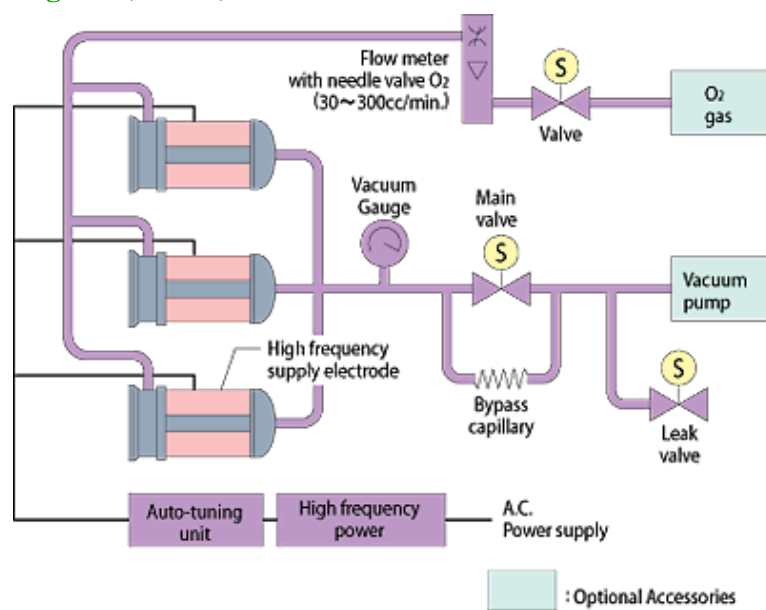
Control Panel



Operation Flowchart



Piping System Diagram (PR300)



Specifications

Model	PR300	PR301
■ Method	Barrel type of direct plasma	
■ Control part		
High frequency output	Max. 300W (100W×3 chambers for PR300)	
Oscillating frequency	13.56 MHz	
Output impedance	50Ω	
Tuning method	Manual biaxial tuning method	
Instrument	Output watt meter (0 to 300W) Reflected wave watt meter (0 to 100W) Vacuum gauge, bourdon's tube type Flow meter, needle valve integrated type, 1 set	
Timer	0.1sec. to 999h	
Gas inlet	1/4" stainless steel	
Power source (50/60Hz)	AC 100/220V, single phase, 1 kVA	
■ Reaction part		
Reaction chamber	Made of pyrex glass, ø64×160mm×3 chambers	Made of pyrex glass, ø118×160mm x 1 chamber
Electrode structure	Condenser type, 2-way split	
Control system	Auto pressure reduction, auto leak valve	
Piping material	Stainless steel, Teflon, Copper and Brass	Stainless steel, Teflon
External dimensions(W×D×Hmm)	438×520×556	438×520×630
Weight	Approx. 38kg	Approx. 34kg
■ Standard Accessories		
	<ul style="list-style-type: none"> ● Vacuum grease :1 pc ● O-ring for reaction chamber :6 pcs.(for PR300) , 1pc. (for PR301) ● Sample dish (large and small) :each 1 set (for PR300 only) 	
■ Optional Accessories		
●Vacuum Pump ●Vacuum Hose ●Rubber Tube Adapter ●Center Ring ●Clamp		