

Gas Plasma Etcher

PR500/510

Model	
500	510
Method	
Barrel type of DP DP : direct plasma	
High-frequency Output	
Max.500W	
Oscillating Frequency	
13.56MHz	
Reaction Chamber	
ø215×305mm	

The PR500/510 is a gas plasma device that is used widely for such applications as production of semiconductors and analysis work. It boasts outstanding operability and safety, with an automatic tuning system as a standard component and other features.

- It has a compact design, with a small-size HF generator and an oscillation section integrated with a portion of the chamber.
- With the 215mm diameter large caliber chamber, the unit can process big testing samples.



■ The gas plasma equipment has a wide range of applications from ashing, etching, dry cleaning, etc.



PR500



PR510

Reaction Chamber



■ With the 215mm diameter large caliber chamber

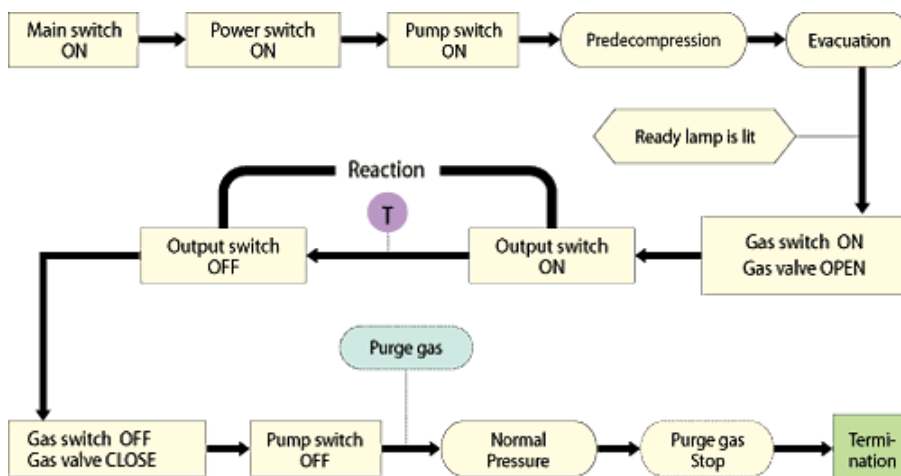
Control Panel



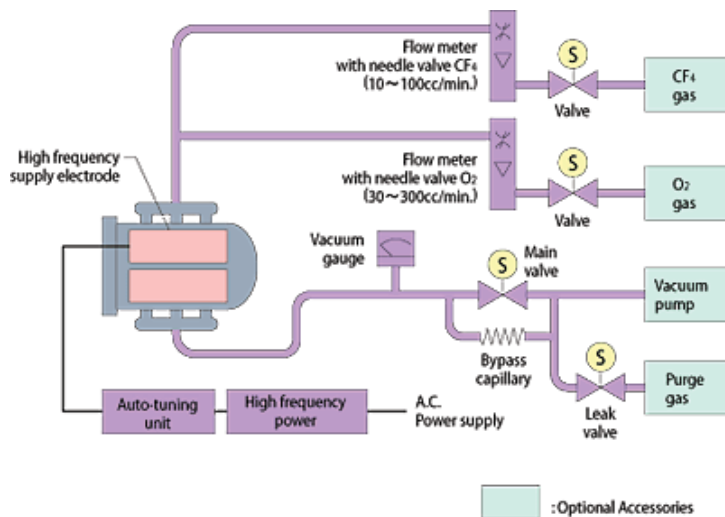
■ FORWARD/REFLECT indicate by digital



Operation Flowchart



Piping System Diagram



Specifications

Model	PR500	PR510
■ Method	Barrel type of direct plasma	
■ Control part		
High frequency output	Max. 500W	
Oscillating frequency	13.56 MHz	
Output impedance	50Ω	
Tuning method	Automatic tuning	
Instrument	Output watt meter (0 to 600W) Reflected wave watt meter (0 to 300W) Vacuum gauge, thermocouple type Flow meter, needle valve integrated type, 2 sets	
Timer	0.1sec. to 999h	
Gas inlet	1/4" stainless steel, 2 inlet	
Power source (50/60Hz)	AC 100/220V, single phase, 2 kVA	
■ Reaction part		
Reaction chamber	Made of quartz, φ215×305mm	
Electrode structure	Condenser type, 4-way split	
Control system	Auto pressure reduction, auto leak valve	Touch panel with PLC control
Piping material	SUS, Teflon	
External dimensions(W×D×Hmm)	438×520×760	520×630×760
Weight	Approx. 38kg	Approx. 60kg
■ Standard Accessories		
	<ul style="list-style-type: none"> ● Connection cable : 1 complete set ● Vacuum grease : 1 pc. ● O-ring for reaction chamber : 1 pc. 	
■ Optional Accessories		
	<ul style="list-style-type: none"> ● Frame for wafers, 2, 3, 4, 5, 6 inches ■ Multipurpose angled frame ● Aluminum etching tunnel ● Stand 	